

**CHHATTISGARH MEDICAL SERVICES CORPORATION
LIMITED**

(Government of Chhattisgarh)

Tender

For

**Construction of Regional Drug Warehouse at Ambikapur (C.G.), under
National Rural Health Mission scheme**

Tender Drawings

VOLUME-VI

June' 2013



**HSCC (INDIA) LTD.
(CONSULTANTS & ENGINEERS FOR MEGA HOSPITALS & LABORATORIES)
E-6(A), sector-1, NOIDA(U.P) 201301 (India)**

Phone : 0120-2542436-40

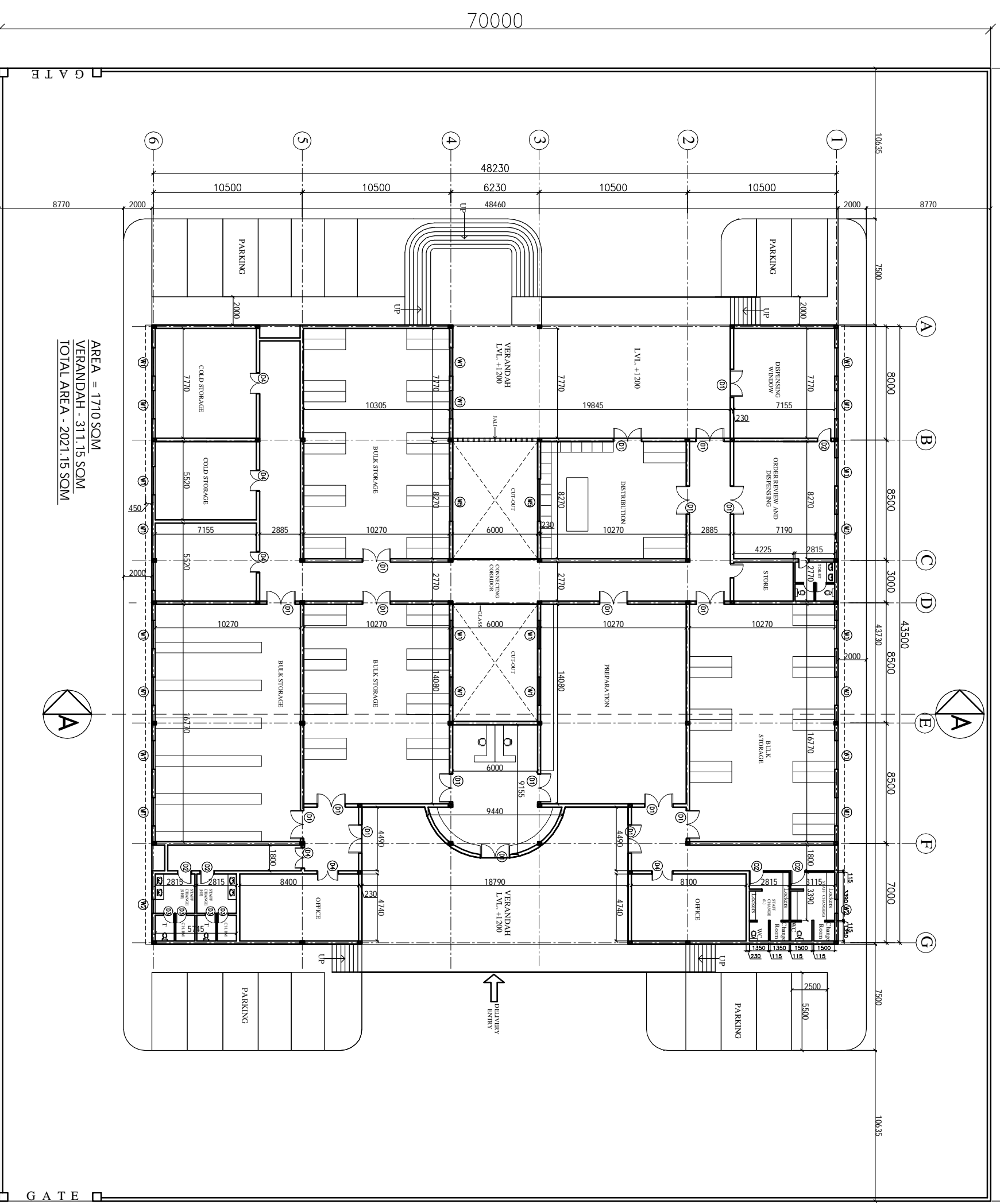
Fax : 0120-2542447

Tender No. HSCC/NRHM/CG./2013 (II) /19

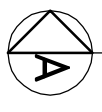
This drawing shall be the property of the Government of India. No part of this drawing shall be reproduced or transmitted in any form or by any means, electronic, mechanical, photocopying, recording, or by any information storage and retrieval system, without the written permission of HSCC. NOT REPRODUCED

NOTES

80000



AREA = 1710 SQM
 VERANDAH - 311.15 SQM
 TOTAL AREA - 2021.15 SQM



PROJECT
 PROPOSED
 DRUG WAREHOUSE

AREA - 2021 SQM

TITLE
 TENDER DRAWING
 (ARCHITECTURE)

FLOOR PLAN

HSCC/CH. WAREHOUSE/01	R-0
Drawing No.	Revision
Job No.	Scale
Date: 22-04-2013	
App. By.	Rev. By.
	Prep. By.

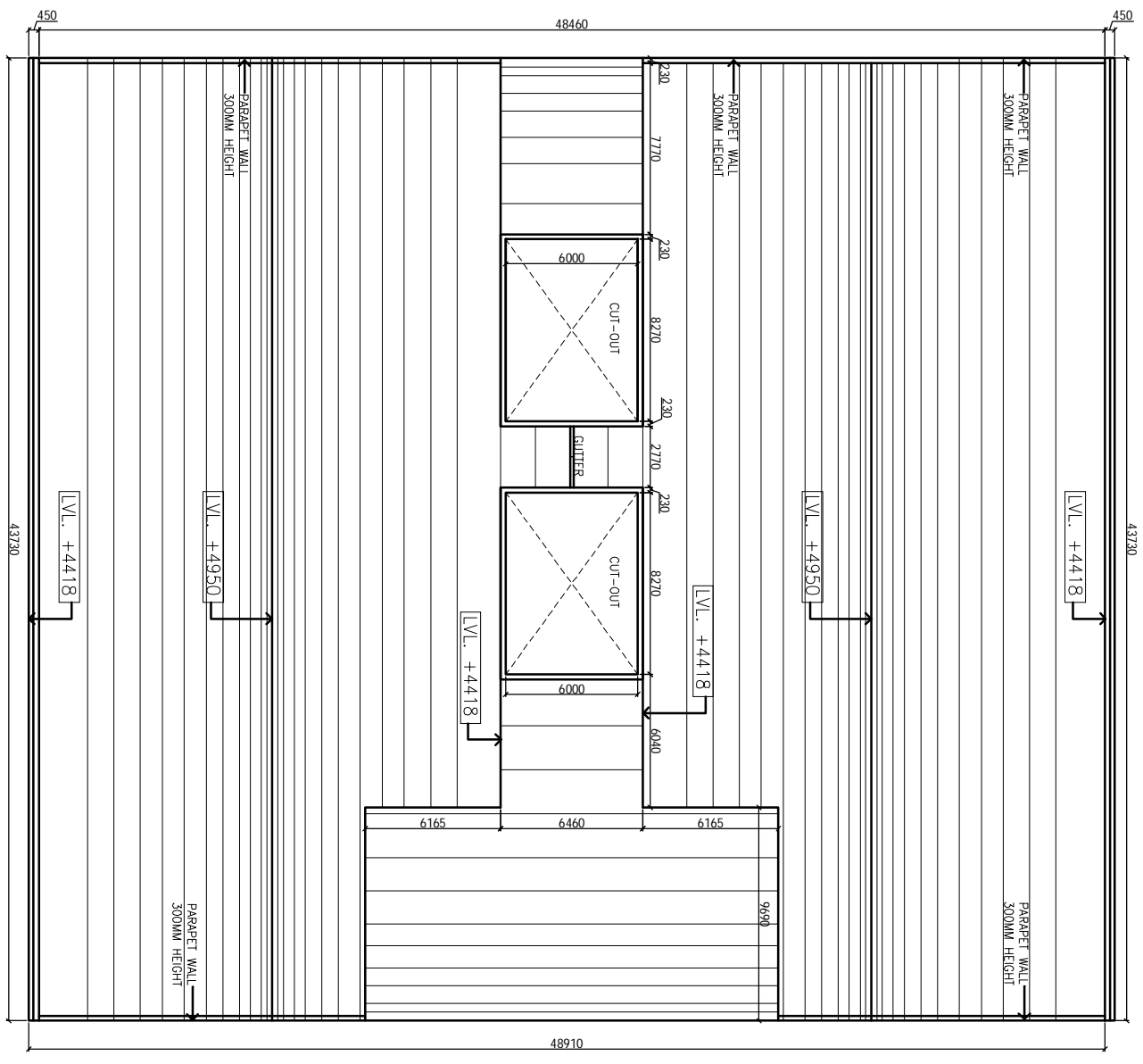
This drawing shall be the property of the Government of India. It shall not be reproduced, stored in a retrieval system, or transmitted in any form or by any means, electronic, mechanical, photocopying, recording, or by any information storage and retrieval system, without the written permission of HSCC. If it is reproduced, stored, or transmitted without the written permission of HSCC, it shall be treated as a breach of contract and the offender shall be liable to prosecution. NOT REPRODUCED

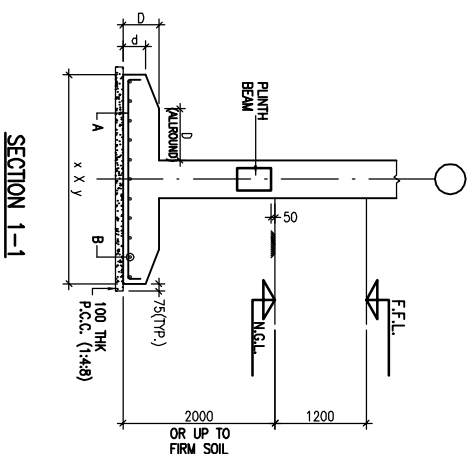
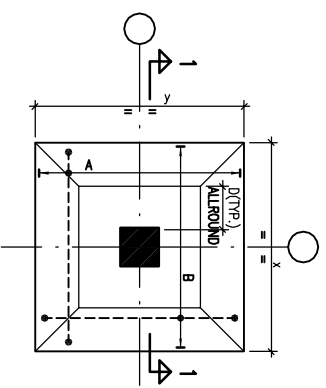
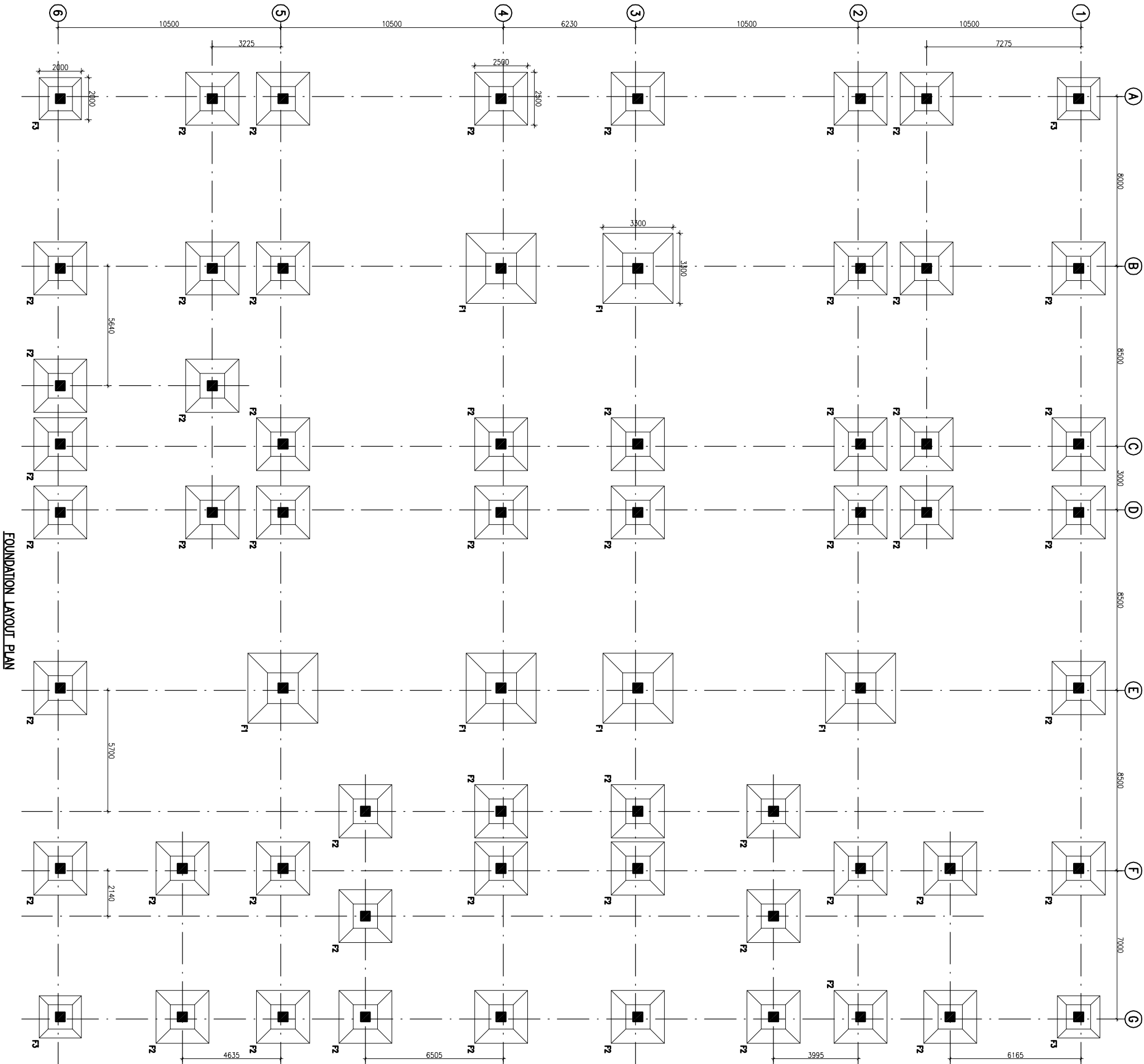
NOTES

PROJECT
PROPOSED
DRUG WAREHOUSE

TITLE
TENDER DRAWING
(ARCHITECTURE)
TERRACE PLAN

HSCC/MD/CH. WAREHOUSE/02		Revision
Drawing No.	R-0	
Scale	1:300	Date: 22-04-2013
Job No.		
App. By.	Rev. By.	Prep. By.





FOOTING SCHEDULE

S.No.	IND.	SIZE (x x y)	TEL. (A)	TEL. (D)	REMARKS
1	F1	3300x3300	300	500	TAPERED
2	F2	2500x2500	250	400	TAPERED
3	F3	2000x2000	250	350	TAPERED

This drawing, with all its contents is the sole intellectual property of the HSCC India Ltd. The Company or its agents or part thereof or its use in any form whatsoever without the written permission of HSCC is prohibited.

- NOTES
1. ALL DIMENSIONS ARE IN mm & LMS IN m.
 2. READ IN CONJUNCTION WITH RELEVANT ARCH. DRG.
 3. FINISHED FLOOR LVL TO BE CONFIRMED AS/ARCH. DRGS. THE SLAB TOP LEVEL TO BE WORKED OUT SUITABLY CONSIDERING FLOOR FINISH THICKNESS.
 4. CLEAR COVER OF R/F TO BE AS BELOW:-
FOUNDATION = 50mm
COLUMN = 40mm
BEAM = 30mm
SLAB = 25mm
 5. CONC. MK. TO BE M-25 FOR ALL RCC WORK AS PER IS:456-2000
 6. ALL R/F BARS TO BE Fe500 Mpa. HTSD OR TMT STEEL AS PER IS:1786.
 7. ALL LAP LENGTHS = 50xSMALLER BAR Ø.
 8. DEVELOPMENT LENGTH = 50xBAR Ø.
 9. SPC ASSUMED 120 N/M² AT 2.0 METER BELOW N.G.L.

REV.	DATE	DESCRIPTION
0	26.04.15	FOR TENDER

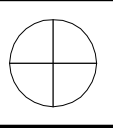
PROJECT
PROPOSED
DRUG WAREHOUSE
RANCH PROJECT
CHATTISGARH

TITLE

FOUNDATION LAYOUT PLAN
HSCC/RANCH/DWG/ST-1-001

Drawing No.	REV. 0
HSCC/RANCH	APRIL-2013
SOB No.	SCALE
APPROVED	PREPARED

HSCC INDIA LTD.
A GOVERNMENT OF INDIA ENTERPRISE
HSCC
NEW DELHI INDIA



This drawing, with all its contents is the sole intellectual property of the Hospital. All the Copyright of this drawing or part thereof or its use in any form whatsoever without the written permission of HSCC is prohibited.

NOTES

1. ALL DIMENSIONS ARE IN mm & L&Ls IN m.
2. READ IN CONJUNCTION WITH RELEVANT ARCH. DRG.
3. FINISHED FLOOR LVL TO BE CONFIRMED AS/ARCH. DRGS. THE SLAB TOP LEVEL TO BE WORKED OUT SUITABLY CONSIDERING FLOOR FINISH THICKNESS.
4. CLEAR COVER OF R/F TO BE AS BELOW:-
FOUNDATION = 50mm
COLUMN = 40mm
BEAM = 30mm
SLAB = 25mm
5. CONC. MIX. TO BE M-25 FOR ALL RCC WORK AS PER IS:456-2000
6. ALL R/F BARS TO BE F650 Mpa. HTSD OR TMT STEEL AS PER IS:1786.
7. ALL LAP LENGTHS = 50xSMALLER BAR Ø. SITE REQUIREMENT
8. DEVELOPMENT LENGTH = 50xBAR Ø.

REV	DATE	DESCRIPTION
0	26.04.15	FOR TENDER

PROJECT

PROPOSED
DRUG WAREHOUSE
RANCH PROJECT
CHATTISGARH

TITLE

COLUMN LAYOUT PLAN

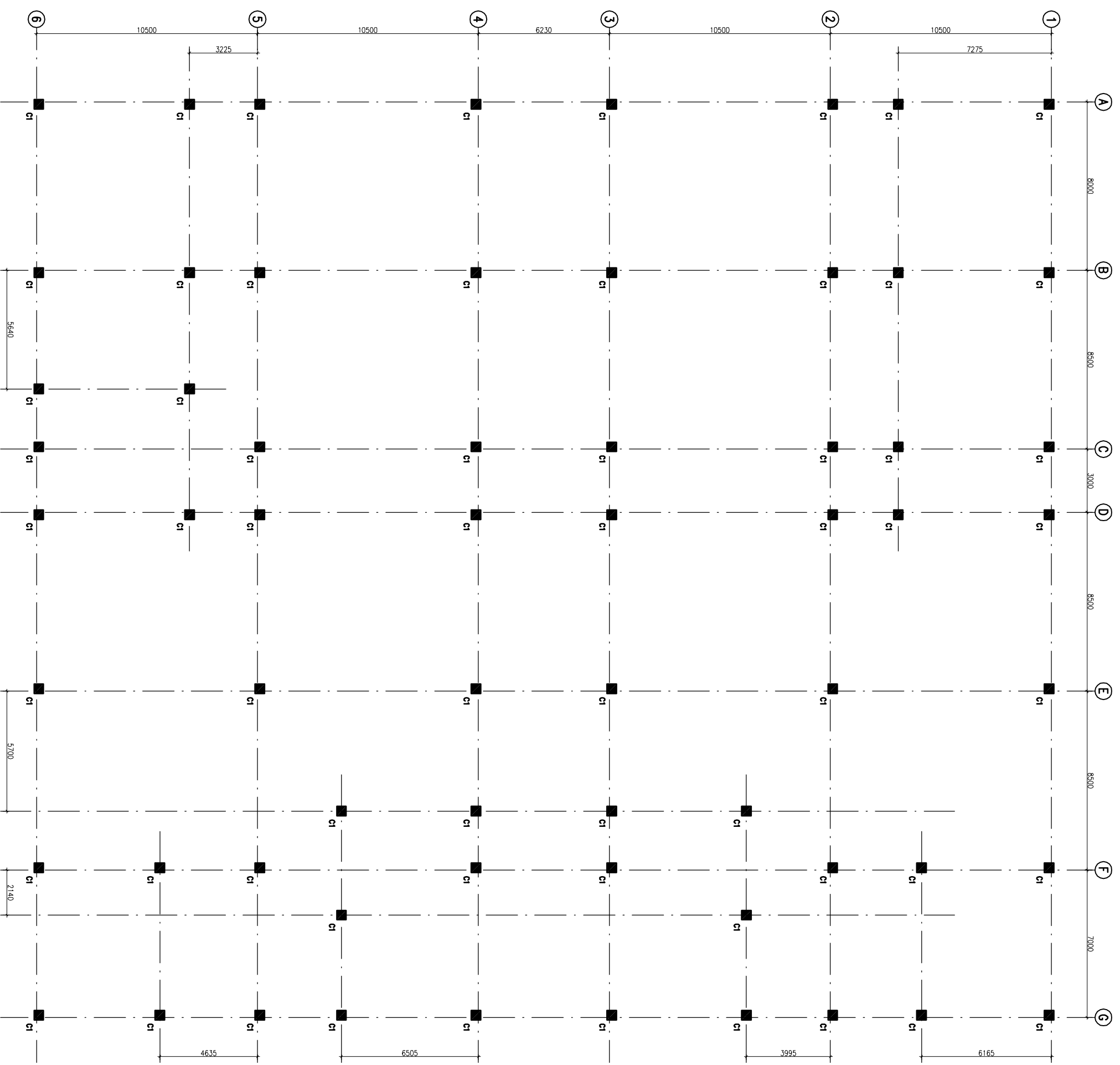
HSCC/RAJNAGA/DWG/ST-7-2002

Drawing No.	REV. 0
HSCC/RMNH	1:100
DWG No.	APRIL-2013
SCALE	DATE

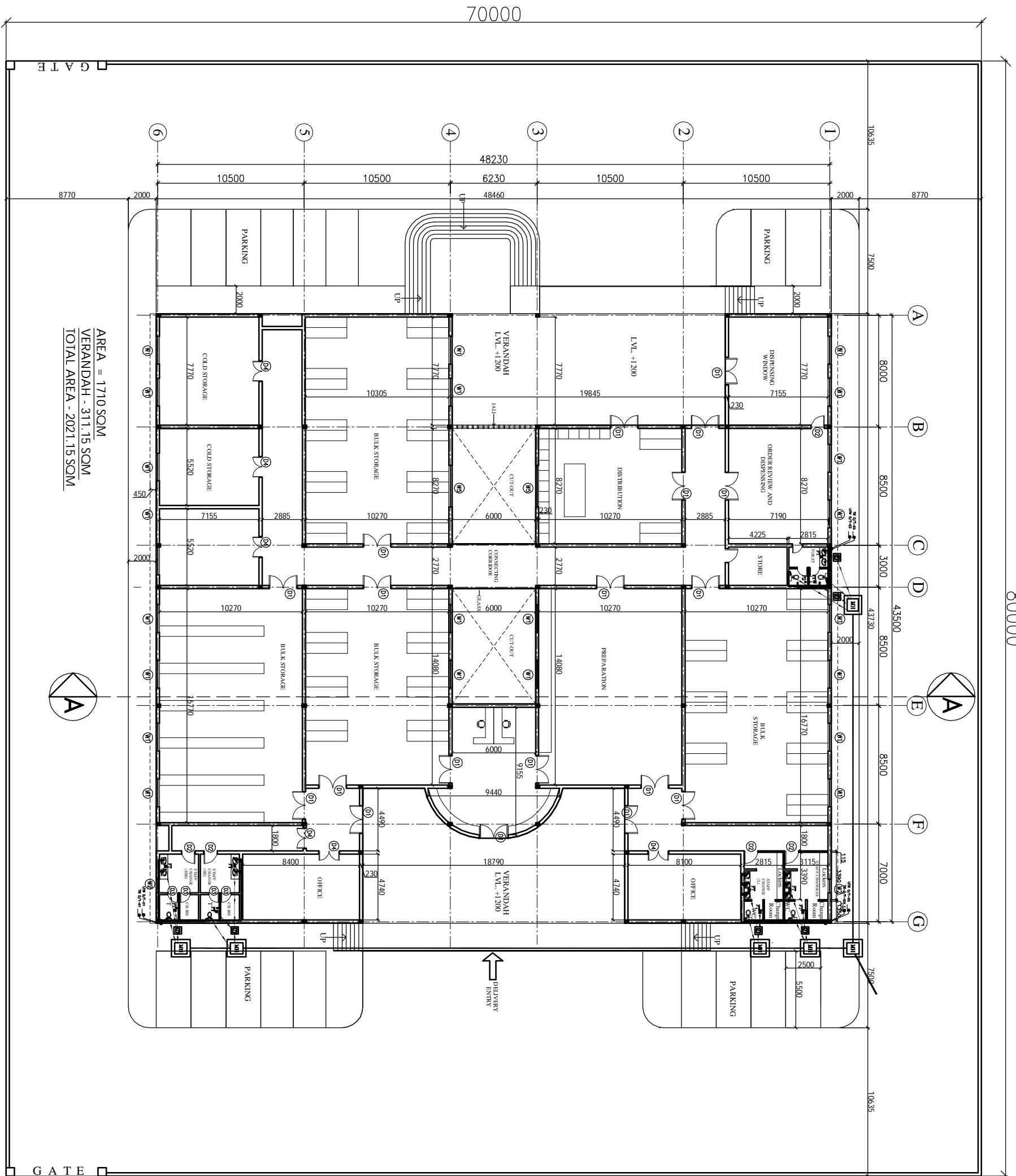
APPROVED	SERIALIZED	PREPARED

HSCC INDIA LTD.
A GOVERNMENT OF INDIA ENTERPRISE

HSCC
INDIA
NEW DELHI



COLUMN LAYOUT PLAN



AREA = 1770 SQM
 VERANDAH - 311.15 SQM
 TOTAL AREA - 2021.15 SQM

1. BASED ON THIS PLANNING EXECUTION AGENCY WILL PREPARE SHOP DRAWING AFTER INCORPORATING THE CHANGES AS PER SITE CONDITION FOR THE APPROVAL OF ENGINEER-IN-CHARGE BEFORE START OF WORK.
2. THE NO & LOCATION OF FIXTURES TO BE FINALIZED BEFORE EXECUTION WITH MEDICAL IN-CHARGE OF PROJECT.

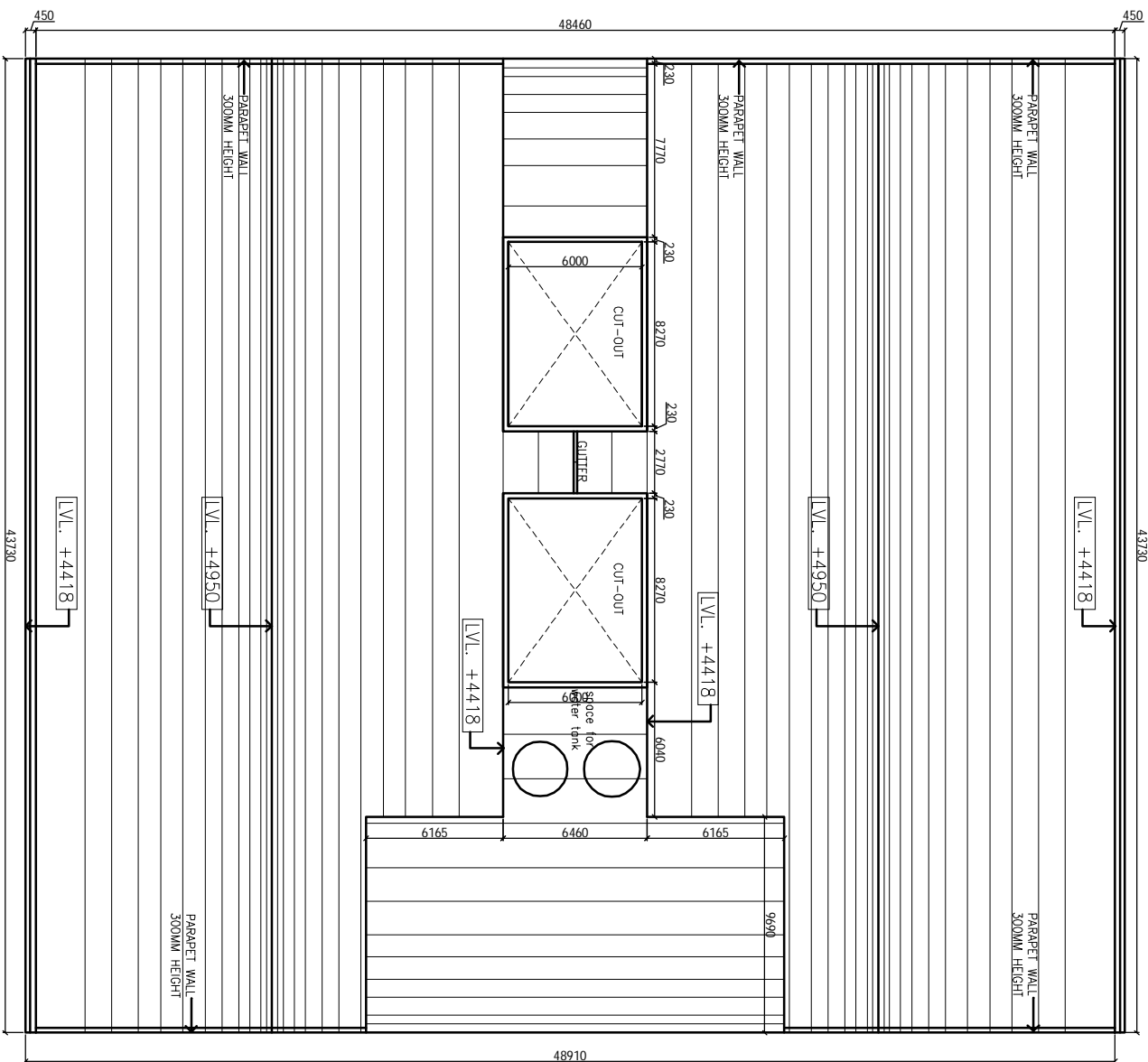
NOTES

The drawing shall be the property of the Consultant's Company. (User) Use Copying of this drawing or part thereof for other than the written permission of HSCC is prohibited. DRAWINGS TO BE READ NOT REVERSED

LEGEND:

1	100 Ø CI SOIL & VENT PIPE
2	100Ø CI WASTE & VENT PIPE
3	100Ø CI SOIL PIPE
4	100Ø CI WASTE PIPE
5	50Ø ØPVC SOIL PIPE
6	40Ø ØPVC WASTE PIPE
7	32Ø ØPVC WASTE PIPE
8	Ø 1/4" DIA. TUBE
9	Ø 1/4" DIA. TUBE
10	Ø 1/4" S.W. PIPE
FT	FLOOR TRAP 100x100
FD	FLOOR CLEAN OUT
COF	CLEAN OUT FLUG
VALVE	VALVE
WH	WALLHOLE Ø60xØ70mm
Ø	GALLY TRAP Ø30xØ30mm

PROJECT	PROPOSED DRUG WAREHOUSE AT CHATTISGARH		
TITLE - PLUMBING	TENDER DRAWING		
FLOOR PLAN	BSCC&BCE WAREHOUSE/TD/PT-01		
Drawing No.	1:300	Date:	April 2013
Job No.	Scale		
App. By.	Rev. By.	Prep. By.	



1. BASED ON THIS DRAWING EXECUTING AGENCY WILL PREPARE SHOP DRAWING AFTER INCORPORATING THE CHANGES AS PER SITE CONDITION FOR THE APPROVAL OF ENGINEER-IN-CHARGE BEFORE START OF WORK.
 2. THE NO. & LOCATION OF FITTURES TO BE FINALIZED BEFORE EXECUTION WITH MEDICAL IN-CHARGE OF PROJECT.

THIS DRAWING IS THE PROPERTY OF HSCC (INDIA) LIMITED. IT IS NOT TO BE REPRODUCED OR TRANSMITTED IN ANY FORM OR BY ANY MEANS, ELECTRONIC OR MECHANICAL, INCLUDING PHOTOCOPYING, RECORDING, OR BY ANY INFORMATION STORAGE AND RETRIEVAL SYSTEM, WITHOUT THE WRITTEN PERMISSION OF HSCC (INDIA) LIMITED.
 DRAWINGS TO BE READ NOT REVERSED

NOTES

PROJECT

PROPOSED DRUG WAREHOUSE AT CHATTISGARH

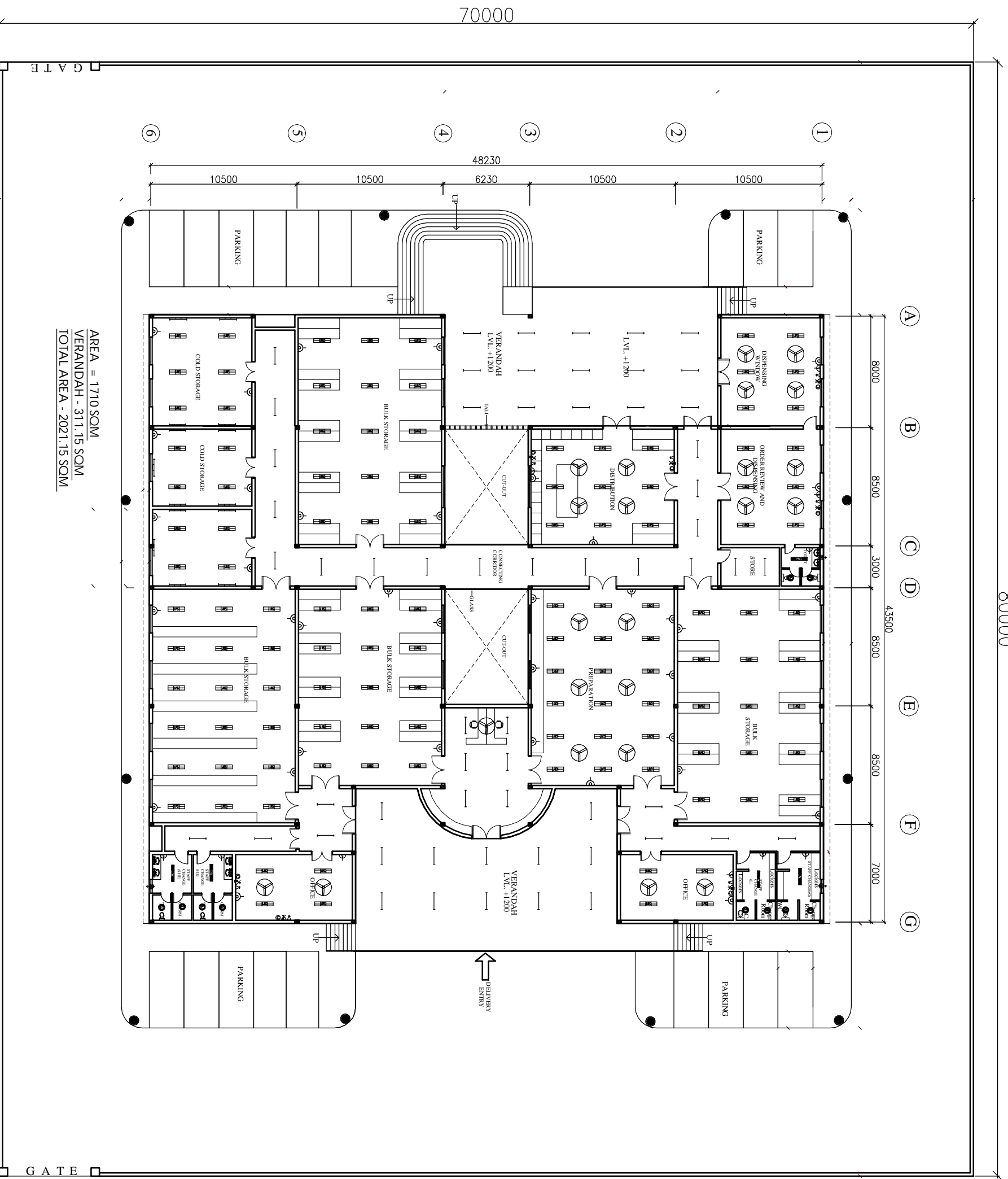
TITLE - PLUMBING

TENDER DRAWING

TERRACE PLAN

BSCC/AR/ICE WAREHOUSE/TP/02

Drawing No.	BSCC/AR/ICE WAREHOUSE/TP/02	
Job No.	1:300	Date: April 2013
Scale		
App. By.	Rev. By.	Prep. By.



AREA = 1710 SQM
 VERANDAH - 311.15 SQM
 TOTAL AREA - 2021.15 SQM

S.No.	SYMBOL	DESCRIPTION
1	(Symbol)	100 MM CEILING FIN
2	(Symbol)	125MM W.P.C. FOR EXTERIOR WALL FINISH (PANELS FOR 200, 250, 300, 350 & 400MM SPACING)
3	(Symbol)	200MM W.P.C. SERRATED CEILING (PANELS FOR 200, 250, 300, 350 & 400MM SPACING)
4	(Symbol)	200MM W.P.C. SERRATED CEILING (PANELS FOR 200, 250, 300, 350 & 400MM SPACING)
5	(Symbol)	200MM W.P.C. SERRATED CEILING (PANELS FOR 200, 250, 300, 350 & 400MM SPACING)
6	(Symbol)	200MM W.P.C. SERRATED CEILING (PANELS FOR 200, 250, 300, 350 & 400MM SPACING)
7	(Symbol)	200MM W.P.C. SERRATED CEILING (PANELS FOR 200, 250, 300, 350 & 400MM SPACING)
8	(Symbol)	200MM W.P.C. SERRATED CEILING (PANELS FOR 200, 250, 300, 350 & 400MM SPACING)
9	(Symbol)	200MM W.P.C. SERRATED CEILING (PANELS FOR 200, 250, 300, 350 & 400MM SPACING)
10	(Symbol)	200MM W.P.C. SERRATED CEILING (PANELS FOR 200, 250, 300, 350 & 400MM SPACING)
11	(Symbol)	200MM W.P.C. SERRATED CEILING (PANELS FOR 200, 250, 300, 350 & 400MM SPACING)
12	(Symbol)	200MM W.P.C. SERRATED CEILING (PANELS FOR 200, 250, 300, 350 & 400MM SPACING)
13	(Symbol)	200MM W.P.C. SERRATED CEILING (PANELS FOR 200, 250, 300, 350 & 400MM SPACING)
14	(Symbol)	200MM W.P.C. SERRATED CEILING (PANELS FOR 200, 250, 300, 350 & 400MM SPACING)
15	(Symbol)	200MM W.P.C. SERRATED CEILING (PANELS FOR 200, 250, 300, 350 & 400MM SPACING)

NOTES

The drawing shall be the property of the Government of India. It shall not be reproduced, stored in a retrieval system, or transmitted in any form or by any means, electronic, mechanical, photocopying, recording, or by any information storage and retrieval system, without the written permission of HSCC. If prohibited, the drawing shall be destroyed. DRAWINGS TO BE READ NOT REVERSED

PROJECT	PROPOSED DRUG WAREHOUSE
AREA	AREA - 2021 SQM
TITLE	FLOOR PLAN
TENDER DRAWING	(ELECTRICAL LAYOUT)
App. By.	Rev. By.
Prep. By.	
HSCC/DC/WH/WAREHOUSE/E-01	R-0
Drawing No.	Revision
Job No.	Scale
Date:	

HSCC

HSCC (INDIA) LIMITED
 (A GOVERNMENT OF INDIA ENTERPRISE)

NEW DELHI INDIA