

**CHHATTISGARH MEDICAL SERVICES CORPORATION
LIMITED**

(Government of Chhattisgarh)

Tender

For

**Construction of 50 bedded MCH wing at Jashpur (C.G.),
under National Rural Health Mission scheme**

Tender Drawings

VOLUME-VI

November' 2015



**HSCC (INDIA) LTD.
(CONSULTANTS & ENGINEERS FOR MEGA HOSPITALS & LABORATORIES)
E-6(A), sector-1, NOIDA(U.P) 201301 (India)**

Phone : 0120-2542436-40

Fax : 0120-2542447

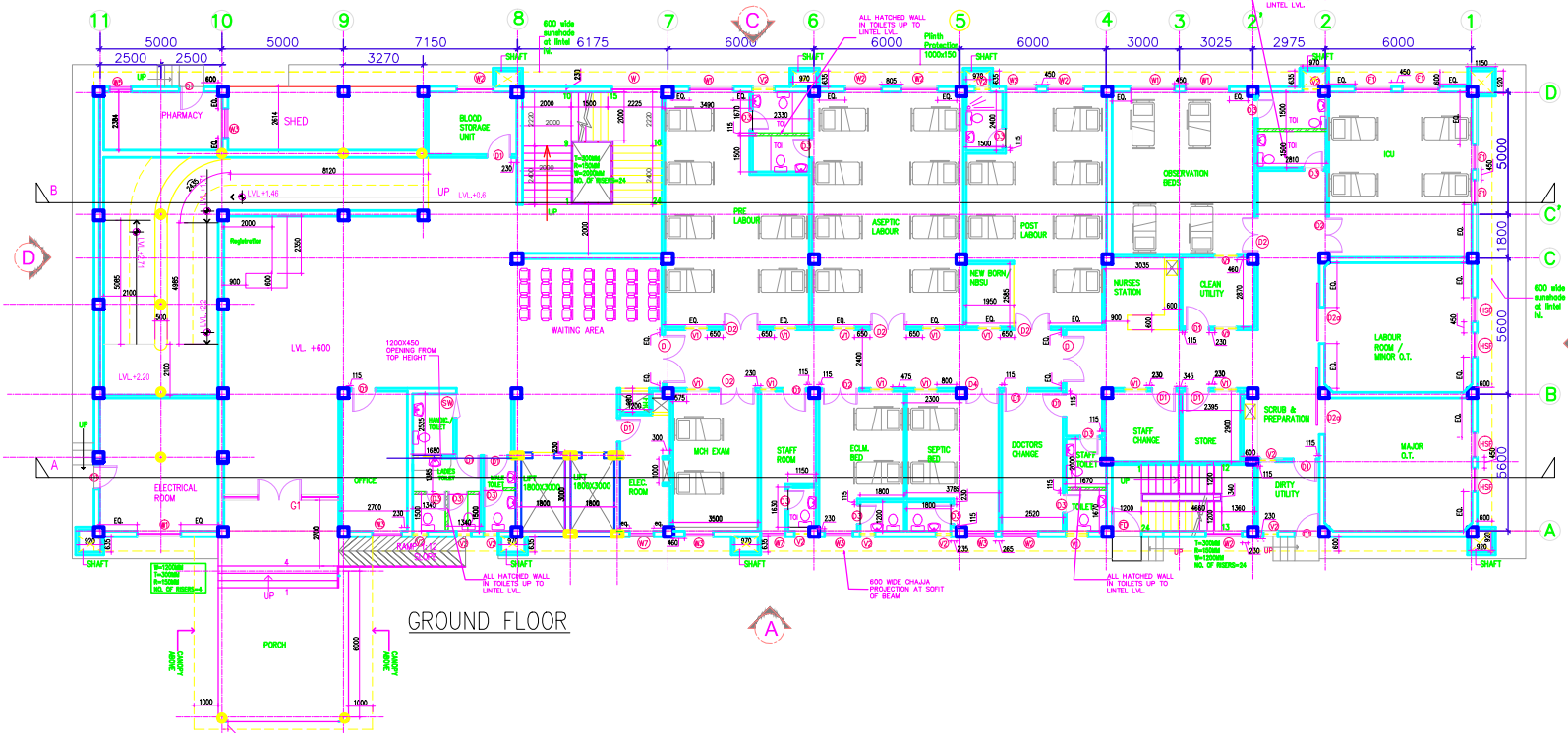
Tender No. HSCC/NRHM/CG./2015(VII)/01

This drawing with all its contents is the sole intellectual property of the Hospital Services Consultancy Corporation (India) Ltd. Copying of this drawing or part thereof for its use in any form whatsoever without the written permission of HSCC is prohibited.

NOTES

ALL DIMENSIONS ARE TO FACE UNLESS OTHERWISE SPECIFIED.
 ONLY WRITTEN DIMENSIONS ARE TO BE FOLLOWED. DIMENSIONS SHOULD NOT BE CALLED UNDER ANY CIRCUMSTANCES. ALL MEASUREMENTS MUST BE CHECKED AND VERIFIED BY THE CONTRACTOR PRIOR TO EXECUTION OF WORK AT THE SITE.
 THIS DRAWING IS TO BE USED IN CONNECTION WITH ALL RELEVANT STRUCTURAL SERVICES & FACILITY MANAGEMENT DRAWINGS.
 ARCHITECTURAL DRAWINGS ARE TO BE FOLLOWED FOR THE LOCATION OF ALL STRUCTURAL MEMBERS & MASONRY WALLS.
 FOR SIZE & POSITIONMENT DETAILS OF STRUCTURAL MEMBERS RELEVANT STRUCTURAL DRAWING ARE TO BE REFERRED.
 ANY DISCREPANCIES BETWEEN ARCHITECTURAL, STRUCTURAL AND SERVICES DRAWINGS MUST BE BROUGHT TO THE NOTICE OF THE OWNER TO CLARIFY FROM AT SITE. CO-ORDINATION WITH THE SERVICES SUCH AS HVAC, PLUMBING & ELECTRICAL ETC. IS THE RESPONSIBILITY OF THE CONTRACTOR.
 ALL MASONRY WALLS SHOULD BE ALIGNED WITH THE COLUMNS AS INDICATED ON THE PLAN RESPECTIVE OF THE POWER AS FACILITATED WITH THE DIMENSIONING.
 FOR ELECTRICAL & ELEV. SHAFT SIZE & LOCATION REFER ELECTRICAL DRAWINGS.
 FOR R.F.P. S.P. & M.S.P. SIDE & LOCATION REFER ELECTRICAL DRAWINGS.
 1. LEFT OPENING AND LIFT APPROVED LIFT PROVIDER. 2. FANWAYS WALL INDICATED BY RED LINE FROM P.E.L.

SL. NO.	DESCRIPTION	SIZE	CELL	LEVEL	REMARKS
1	D	2000	000	2150	DOUBLE SHUTTER
2	DT	1000	000	2150	TINLEY DOOR
3	DS	1000	000	2150	DOUBLE SHUTTER
4	D2a	1500	000	2150	SLIDING DOOR
5	D3	800	000	2150	TINLEY DOOR
6	D4	1300	000	2150	DOUBLE SHUTTER
7	D5	1200	000	2150	DOUBLE SHUTTER
8	D6	1000	150	2300	Sliding in frame
9	SW	1000	000	2150	SLIDING DOOR
10	SD	600	150	2150	SHUTTER DOOR
11	FD1	1800	000	2150	FIRE DOOR
12	FD2	1200	000	2150	FIRE DOOR
13	CL	4750	150	3000	DOUBLE SHUTTER
14	WP	1600	400		SCOTT'S OR BEAM
15	W	2000			STAIRCASE
16	WB	900	900		
17	WD	1200	900		
18	WS	1200	900		
19	WP	1500	900		
20	WY	1000	900		
21	WV	1000	900		
22	YV	400	1000		
23	VT	900	1500		
24	FT	1000	1000		
25	FW	1000	900		



GROUND FLOOR

PROJECT

NRHM PROJECT
 Proposed 50 Bedded Hospital at JASPUR, CHATTISGARH

TITLE

TENDER DRAWING

Ground Floor Plan

HSCC/EV110/WD/HOSP/002	
Drawing No.	Revision
HSCC/BY110	1:100
Job No.	Scale
App. by	Chkd. by
	Prep. by

This drawing with its contents is the sole intellectual property of the Hospital Services Consultancy Corporation (India) Ltd. Copying of this drawing or part thereof for its use in any form whatsoever without the written permission of HSCC is prohibited.

NOTES

ALL DIMENSIONS ARE TO CENTERLINE UNLESS OTHERWISE SPECIFIED.

ONLY THE DRAWING CONTRACTOR SHALL BE RESPONSIBLE FOR THE ACCURACY OF ALL DIMENSIONS AND LOCATIONS OF ALL WORK SHOWN ON THIS DRAWING. ALL DIMENSIONS MUST BE CHECKED AND VERIFIED BY THE CONTRACTOR PRIOR TO EXECUTION OF WORK AT THE SITE.

THIS DRAWING IS TO BE USED IN CONJUNCTION WITH ALL RELEVANT STRUCTURAL SERVICES & FACILITY SERVICES DRAWINGS.

ARCHITECTURAL DRAWINGS ARE TO BE FOLLOWED FOR THE LOCATION OF ALL STRUCTURAL MEMBERS & MASONRY WALLS. FOR SIZE & POSITIONMENT DETAILS OF STRUCTURAL MEMBERS RELEVANT STRUCTURAL DRAWINGS ARE TO BE REFERRED.

ANY DISCREPANCIES BETWEEN ARCHITECTURAL, STRUCTURAL AND SERVICES DRAWINGS MUST BE BROUGHT TO THE NOTICE OF THE DRAWING CONTRACTOR AT THE CO-ORDINATION WITH THE SERVICES SUCH AS HVAC, PLUMBING & ELECTRICAL ETC. IS THE RESPONSIBILITY OF THE CONTRACTOR.

ALL MASONRY WALLS SHOULD BE ALIGNED WITH THE COLUMNS AS INDICATED ON THE PLAN RESPECTIVE OF THE POWER AS FACED AS PER THE DRAWINGING.

FOR ELECTRICAL & ELEV. SHAFT SIZE & LOCATION REFER ELECTRICAL DRAWINGS.

FOR R.F.P. S.P. W.P. & M.W.P. SIZE & LOCATION REFER PLUMBING DRAWINGS.

IF LEFT OPENING AS PER APPROVED LIFT PROVIDED, CONTRACTOR SHALL PROVIDE APPROVED SCHEDULE.

DOOR AND WINDOW SCHEDULE

SL. NO.	SIZE	GLASS	DETAIL	REMARKS
1	D	2000	000	2150 DOUBLE SHUTTER
2	DT	1000	000	2150 DOUBLE SHUTTER
3	DT	1000	000	2150 DOUBLE SHUTTER
4	D2	1000	000	2150 DOUBLE SHUTTER
5	D3	1000	000	2150 DOUBLE SHUTTER
6	D4	1000	000	2150 DOUBLE SHUTTER
7	D5	1000	000	2150 DOUBLE SHUTTER
8	D6	1000	000	2150 DOUBLE SHUTTER
9	D7	1000	000	2150 DOUBLE SHUTTER
10	D8	1000	000	2150 DOUBLE SHUTTER
11	D9	1000	000	2150 DOUBLE SHUTTER
12	D10	1000	000	2150 DOUBLE SHUTTER
13	D11	1000	000	2150 DOUBLE SHUTTER
14	D12	1000	000	2150 DOUBLE SHUTTER
15	D13	1000	000	2150 DOUBLE SHUTTER
16	D14	1000	000	2150 DOUBLE SHUTTER
17	D15	1000	000	2150 DOUBLE SHUTTER
18	D16	1000	000	2150 DOUBLE SHUTTER
19	D17	1000	000	2150 DOUBLE SHUTTER
20	D18	1000	000	2150 DOUBLE SHUTTER
21	D19	1000	000	2150 DOUBLE SHUTTER
22	D20	1000	000	2150 DOUBLE SHUTTER
23	D21	1000	000	2150 DOUBLE SHUTTER
24	D22	1000	000	2150 DOUBLE SHUTTER
25	D23	1000	000	2150 DOUBLE SHUTTER
26	D24	1000	000	2150 DOUBLE SHUTTER
27	D25	1000	000	2150 DOUBLE SHUTTER
28	D26	1000	000	2150 DOUBLE SHUTTER
29	D27	1000	000	2150 DOUBLE SHUTTER
30	D28	1000	000	2150 DOUBLE SHUTTER
31	D29	1000	000	2150 DOUBLE SHUTTER
32	D30	1000	000	2150 DOUBLE SHUTTER
33	D31	1000	000	2150 DOUBLE SHUTTER
34	D32	1000	000	2150 DOUBLE SHUTTER
35	D33	1000	000	2150 DOUBLE SHUTTER
36	D34	1000	000	2150 DOUBLE SHUTTER
37	D35	1000	000	2150 DOUBLE SHUTTER
38	D36	1000	000	2150 DOUBLE SHUTTER
39	D37	1000	000	2150 DOUBLE SHUTTER
40	D38	1000	000	2150 DOUBLE SHUTTER
41	D39	1000	000	2150 DOUBLE SHUTTER
42	D40	1000	000	2150 DOUBLE SHUTTER
43	D41	1000	000	2150 DOUBLE SHUTTER
44	D42	1000	000	2150 DOUBLE SHUTTER
45	D43	1000	000	2150 DOUBLE SHUTTER
46	D44	1000	000	2150 DOUBLE SHUTTER
47	D45	1000	000	2150 DOUBLE SHUTTER
48	D46	1000	000	2150 DOUBLE SHUTTER
49	D47	1000	000	2150 DOUBLE SHUTTER
50	D48	1000	000	2150 DOUBLE SHUTTER
51	D49	1000	000	2150 DOUBLE SHUTTER
52	D50	1000	000	2150 DOUBLE SHUTTER
53	D51	1000	000	2150 DOUBLE SHUTTER
54	D52	1000	000	2150 DOUBLE SHUTTER
55	D53	1000	000	2150 DOUBLE SHUTTER
56	D54	1000	000	2150 DOUBLE SHUTTER
57	D55	1000	000	2150 DOUBLE SHUTTER
58	D56	1000	000	2150 DOUBLE SHUTTER
59	D57	1000	000	2150 DOUBLE SHUTTER
60	D58	1000	000	2150 DOUBLE SHUTTER
61	D59	1000	000	2150 DOUBLE SHUTTER
62	D60	1000	000	2150 DOUBLE SHUTTER
63	D61	1000	000	2150 DOUBLE SHUTTER
64	D62	1000	000	2150 DOUBLE SHUTTER
65	D63	1000	000	2150 DOUBLE SHUTTER
66	D64	1000	000	2150 DOUBLE SHUTTER
67	D65	1000	000	2150 DOUBLE SHUTTER
68	D66	1000	000	2150 DOUBLE SHUTTER
69	D67	1000	000	2150 DOUBLE SHUTTER
70	D68	1000	000	2150 DOUBLE SHUTTER
71	D69	1000	000	2150 DOUBLE SHUTTER
72	D70	1000	000	2150 DOUBLE SHUTTER
73	D71	1000	000	2150 DOUBLE SHUTTER
74	D72	1000	000	2150 DOUBLE SHUTTER
75	D73	1000	000	2150 DOUBLE SHUTTER
76	D74	1000	000	2150 DOUBLE SHUTTER
77	D75	1000	000	2150 DOUBLE SHUTTER
78	D76	1000	000	2150 DOUBLE SHUTTER
79	D77	1000	000	2150 DOUBLE SHUTTER
80	D78	1000	000	2150 DOUBLE SHUTTER
81	D79	1000	000	2150 DOUBLE SHUTTER
82	D80	1000	000	2150 DOUBLE SHUTTER
83	D81	1000	000	2150 DOUBLE SHUTTER
84	D82	1000	000	2150 DOUBLE SHUTTER
85	D83	1000	000	2150 DOUBLE SHUTTER
86	D84	1000	000	2150 DOUBLE SHUTTER
87	D85	1000	000	2150 DOUBLE SHUTTER
88	D86	1000	000	2150 DOUBLE SHUTTER
89	D87	1000	000	2150 DOUBLE SHUTTER
90	D88	1000	000	2150 DOUBLE SHUTTER
91	D89	1000	000	2150 DOUBLE SHUTTER
92	D90	1000	000	2150 DOUBLE SHUTTER
93	D91	1000	000	2150 DOUBLE SHUTTER
94	D92	1000	000	2150 DOUBLE SHUTTER
95	D93	1000	000	2150 DOUBLE SHUTTER
96	D94	1000	000	2150 DOUBLE SHUTTER
97	D95	1000	000	2150 DOUBLE SHUTTER
98	D96	1000	000	2150 DOUBLE SHUTTER
99	D97	1000	000	2150 DOUBLE SHUTTER
100	D98	1000	000	2150 DOUBLE SHUTTER
101	D99	1000	000	2150 DOUBLE SHUTTER
102	D100	1000	000	2150 DOUBLE SHUTTER

REV	DATE	DESCRIPTION

PROJECT

NRHM PROJECT
Proposed 50 Bedded Hospital at JASPUR, CHATTISGARH

TENDER DRAWING

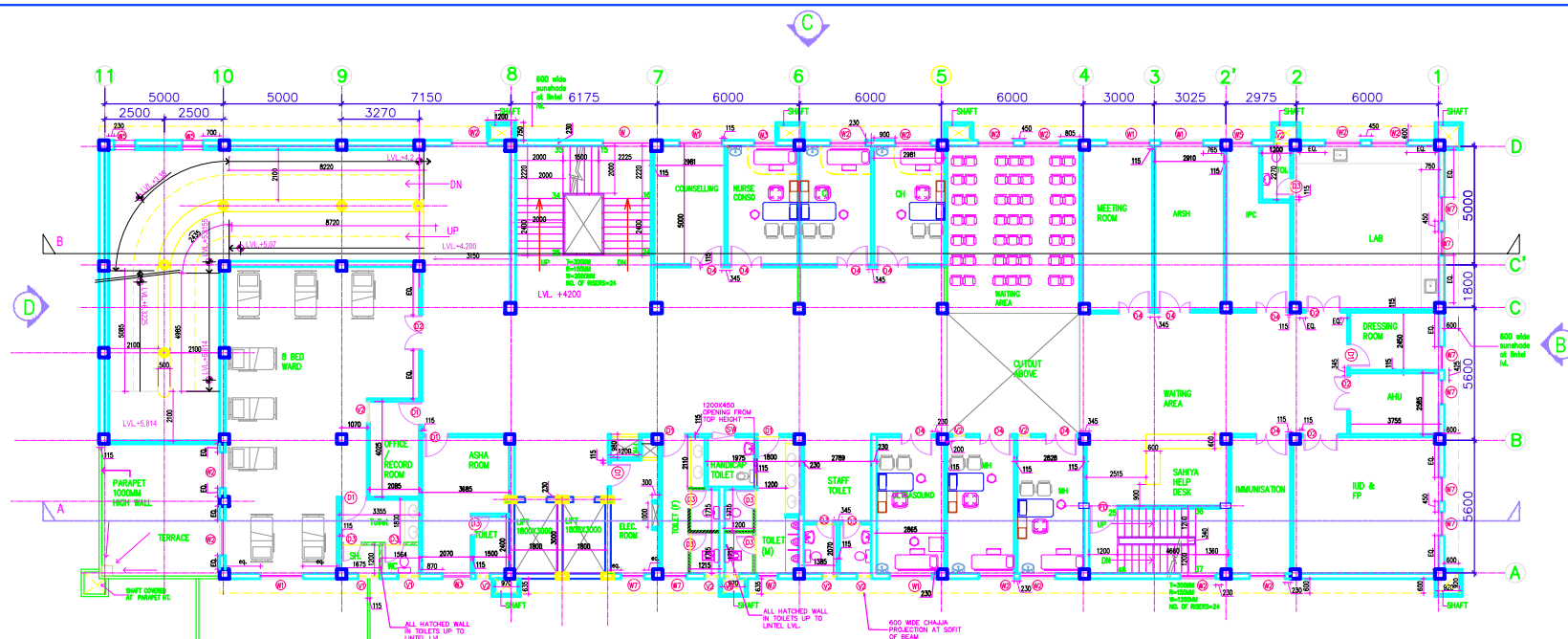
First & Second Floor Plan

HSCC/EV110/WD/HOSP/003	Drawing No.	Revision
HSCC/BY110	Job No.	Date
1:100	Scale	
	App by	
	Chk. by	
	Prep. by	

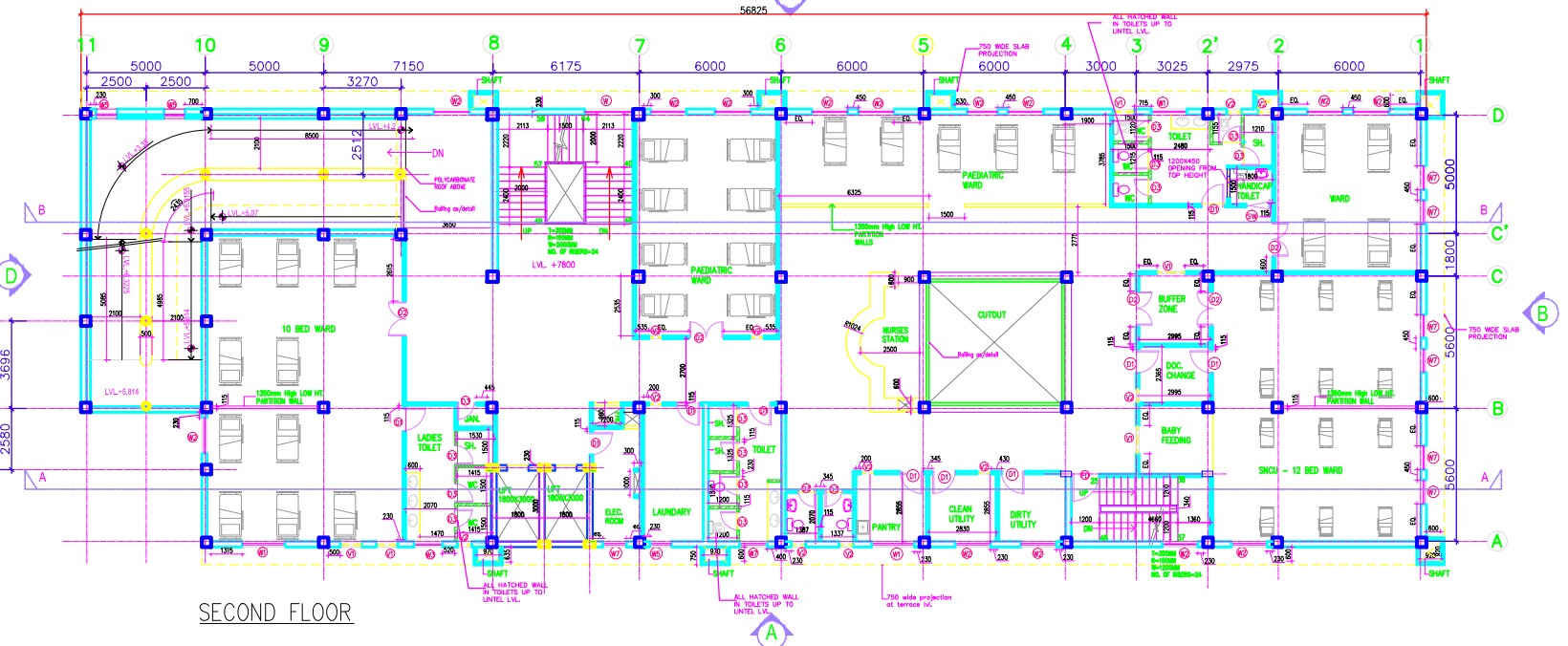
HSCC (INDIA) LIMITED
(A GOVERNMENT OF INDIA ENTERPRISE)

HSCC

NEW DELHI INDIA



FIRST FLOOR



SECOND FLOOR

This drawing with all its contents is the sole Intellectual property of the Hospital Services Consultancy Corporation (India) Ltd. Copying of this drawing or part thereof for its use in any form whatsoever without the written permission of HSCC is prohibited.

NOTES

- ALL DIMENSIONS UNLESS OTHERWISE SPECIFIED ARE TO BE TAKEN FROM THE CENTERLINE OF THE WALLS UNLESS OTHERWISE SPECIFIED.
- CONTRACTOR SHALL BE RESPONSIBLE FOR CHECKING AND VERIFYING THE CONTRACTOR'S PROPOSAL TO EXECUTION OF WORK AT THE SITE.
- THE DRAWING IS TO BE USED FOR CONSTRUCTION WITH ALL RELEVANT STRUCTURAL SERVICES FACILITY & SANITATION WORK.
- ARCHITECTURAL DRAWINGS ARE TO BE FOLLOWED FOR THE LOCATION OF ALL STRUCTURAL MEMBERS & MASONRY WALLS.
- FOR SIZE & REINFORCEMENT DETAILS OF STRUCTURAL MEMBERS RELEVANT STRUCTURAL DRAWING ARE TO BE REFERRED.
- ANY DISCREPANCIES BETWEEN ARCHITECTURAL, STRUCTURAL AND SERVICES DRAWINGS MUST BE BROUGHT TO THE NOTICE OF THE OWNER TO CLARIFY FROM AT SITE. CO-ORDINATION WITH THE SERVICES SUCH AS HVAC, PLUMBING & ELECTRICAL ETC. IS THE RESPONSIBILITY OF THE CONTRACTOR.
- ALL MASONRY WALLS SHOULD BE ALIGNED WITH THE COLUMNS AS INDICATED ON THE PLAN RESPECTIVE OF THE POSITION AS FACILITATED WITH THE DIMENSIONING.
- FOR ELECTRICAL & ELEV. SHAFT SIZE & LOCATION REFER ELECTRICAL DRAWINGS.
- FOR R.W.P. S.P. W.P. & M.W.S.P. SIZE & LOCATION REFER PLUMBING DRAWINGS.
- LEFT OPENING AND LIFT APPROVED LIFT PROVIDER. (IF MASONRY WALL, MENTION APPROVED HEIGHT FROM F.F.L.)

DOOR AND WINDOW SCHEDULE

SL. NO.	SYMBOL	SIZE	GLASS	DETAIL	REMARKS
1	D	2000	000	2150	DOUBLE SHUTTER
2	DT	1000	000	2150	DOUBLE SHUTTER
3	DS	1000	000	2150	DOUBLE SHUTTER
4	DD	1000	000	2150	DOUBLE SHUTTER
5	DT	900	000	2150	TWO LEAF DOOR
6	DD	1300	000	2150	DOUBLE SHUTTER
7	DS	1200	000	2150	DOUBLE SHUTTER
8	DS	1000	150	2300	SHUTTER IN TERRACE
9	SW	1000	000	2150	SHUTTER DOOR
10	SD	600	150	2150	SHUTTER DOOR
11	FD	1800	000	2150	FINE DOOR
12	FD	1200	000	2150	FINE DOOR
13	CL	4750	100	3000	DOUBLE SHUTTER
14	W	1600	400		SHUTTER OF BRAM
15	W	2000			STAIRCASE
16	WS	900	900		
17	WS	1500	900		
18	WS	1200	900		
19	WS	1500	900		
20	WS	1000	900		
21	WS	1650	900		
22	VS	600			
23	VS	900			
24	VS	1000			
25	HSW	1000	900		Handwritten notes where applicable.

REV	DATE	DESCRIPTION

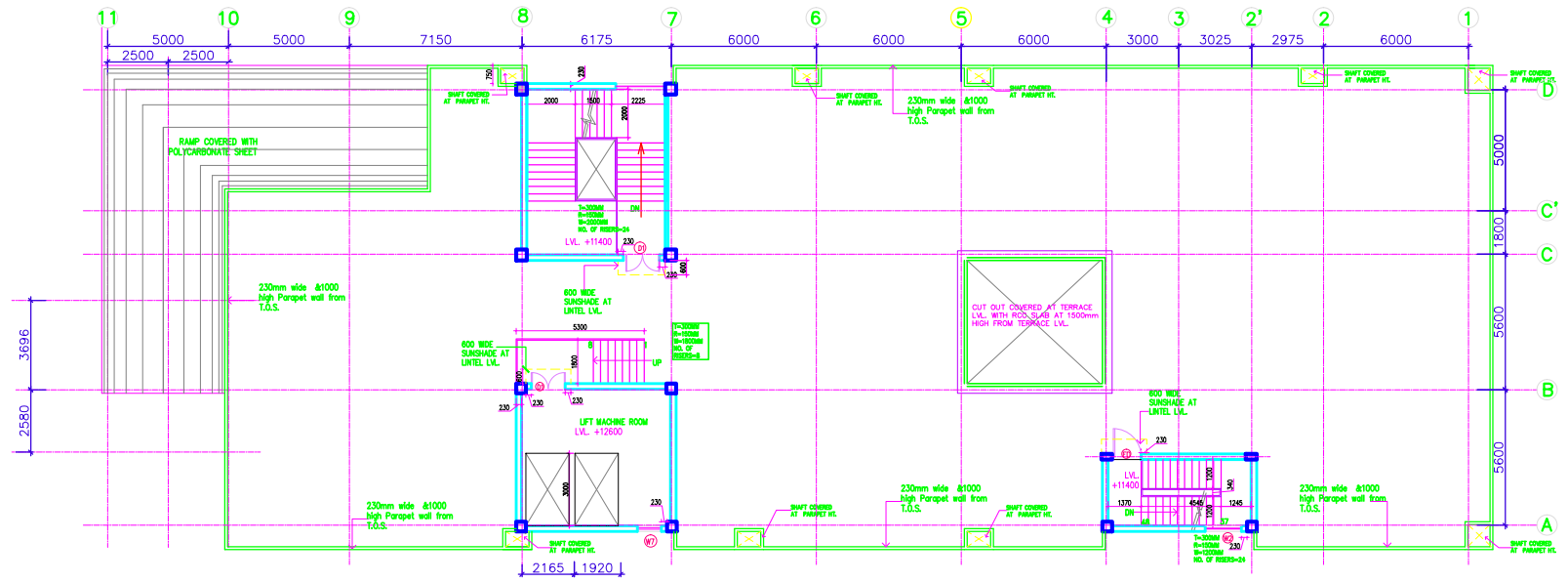
PROJECT
NRHM PROJECT
 Proposed 50 Bedded Hospital at JASPUR, CHATTISGARH

TITLE
TENDER DRAWING

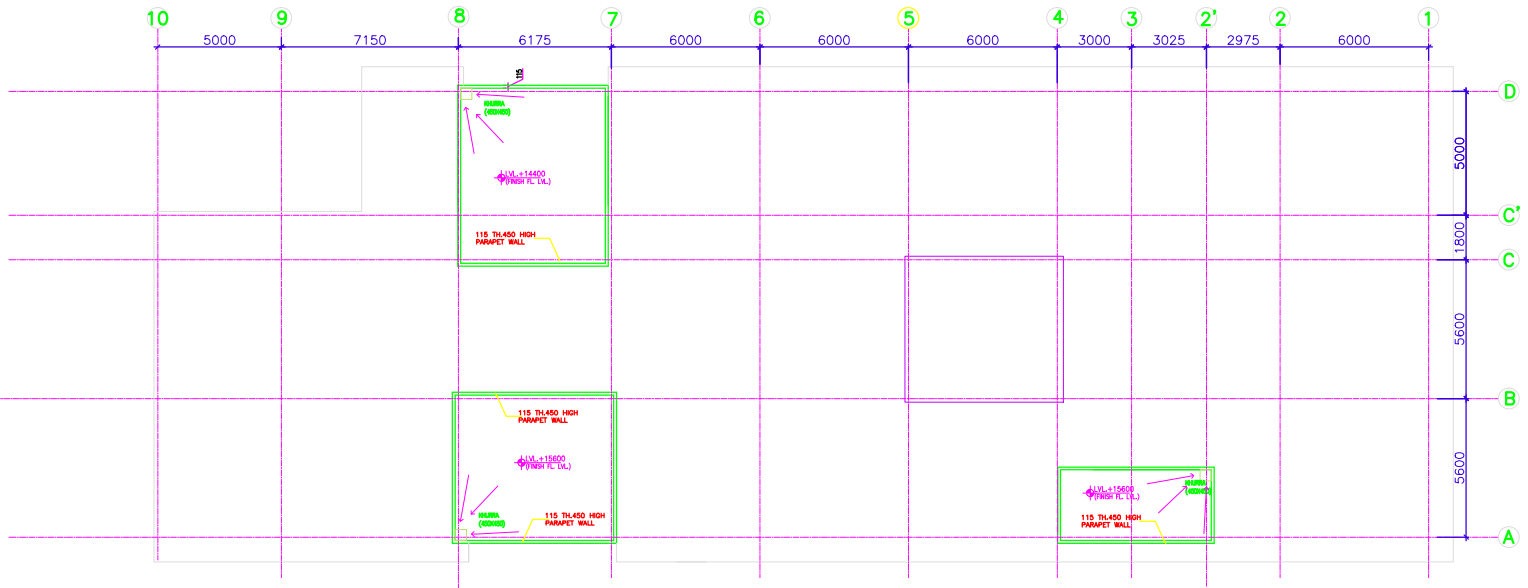
Terrace & Roof Plan

HSCC/EV110/WD/HOSP/004	
Drawing No.	Revision
HSCC/BY110	1:100
Job No.	Scale
App. by	Chkd. by
	Prep. by

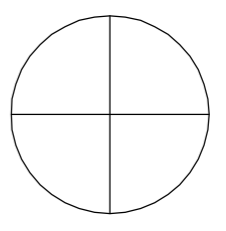
HSCC (INDIA) LIMITED
 (A GOVERNMENT OF INDIA ENTERPRISE)
HSCC
 NEW DELHI INDIA



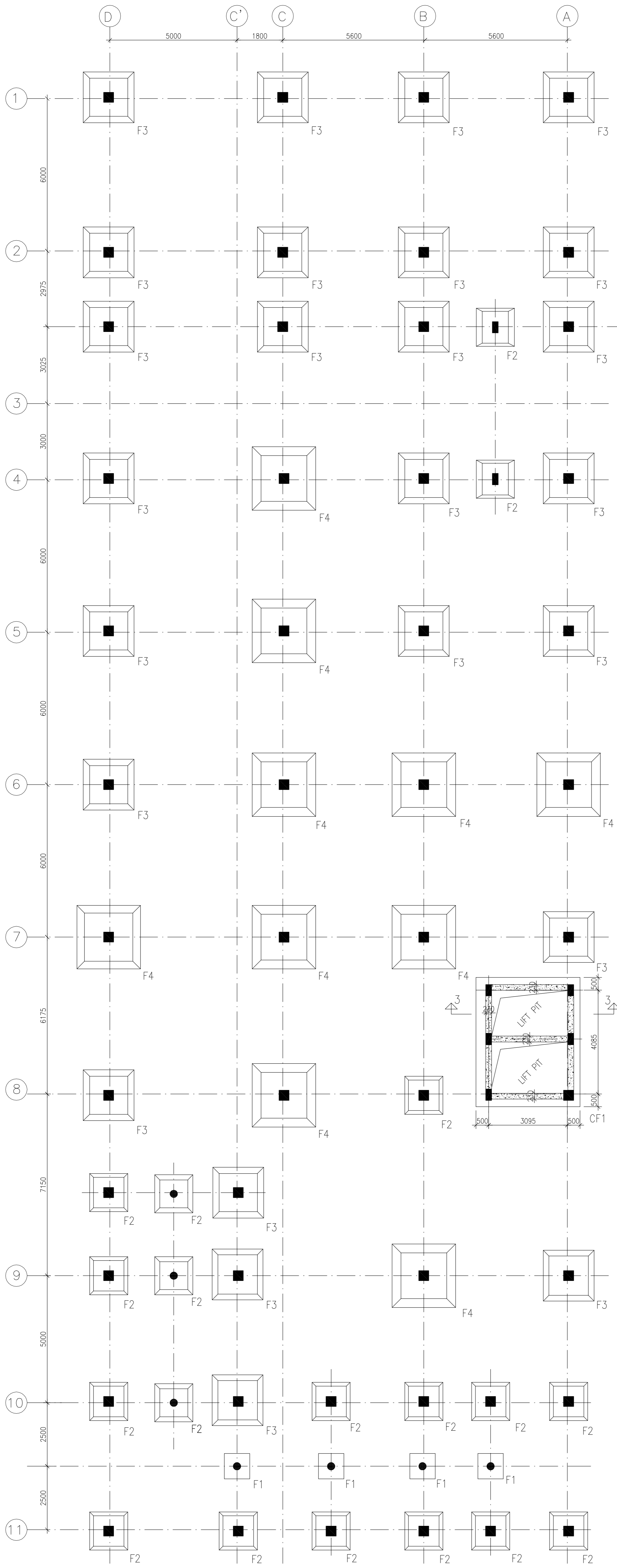
TERRACE FLOOR



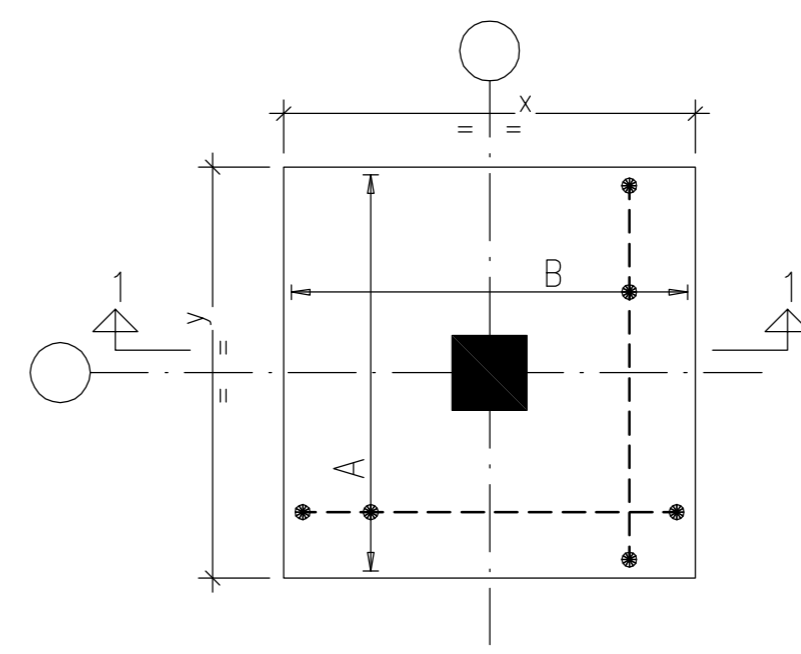
ROOF FLOOR



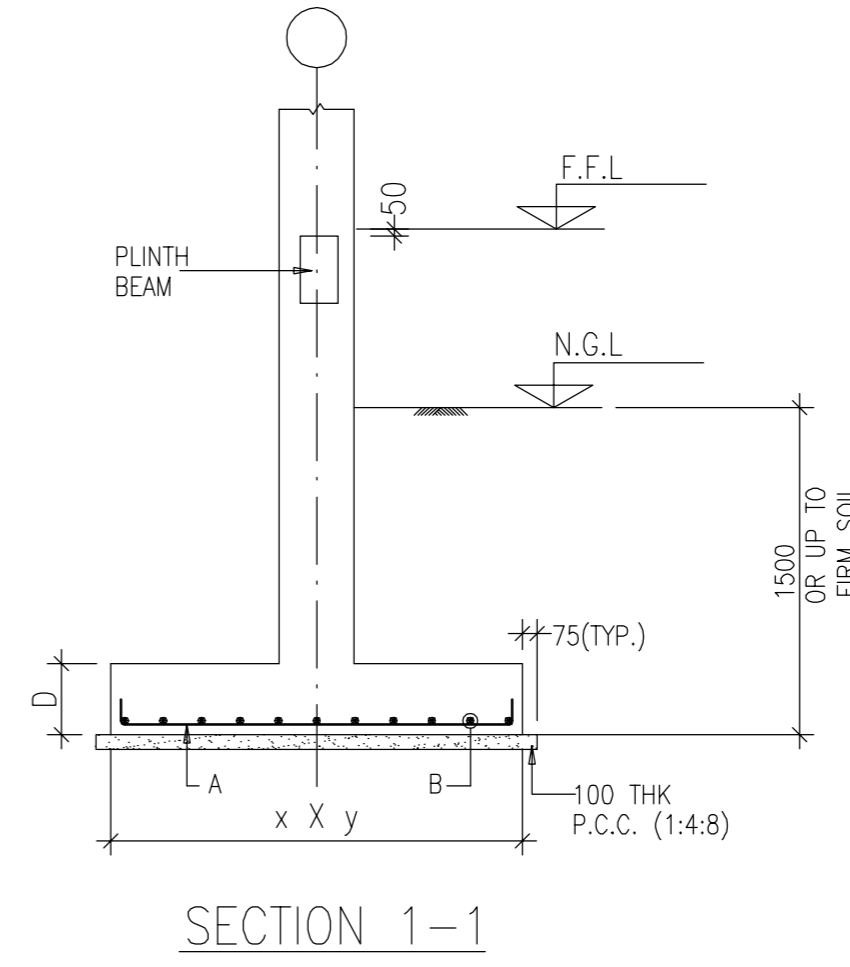
This drawing with all its contents is the sole intellectual property of the Hospital Services Consultancy Corporation (India) Ltd. Copying of this drawing or part thereof or its use in any form whatsoever without the written permission of HSCC is prohibited.



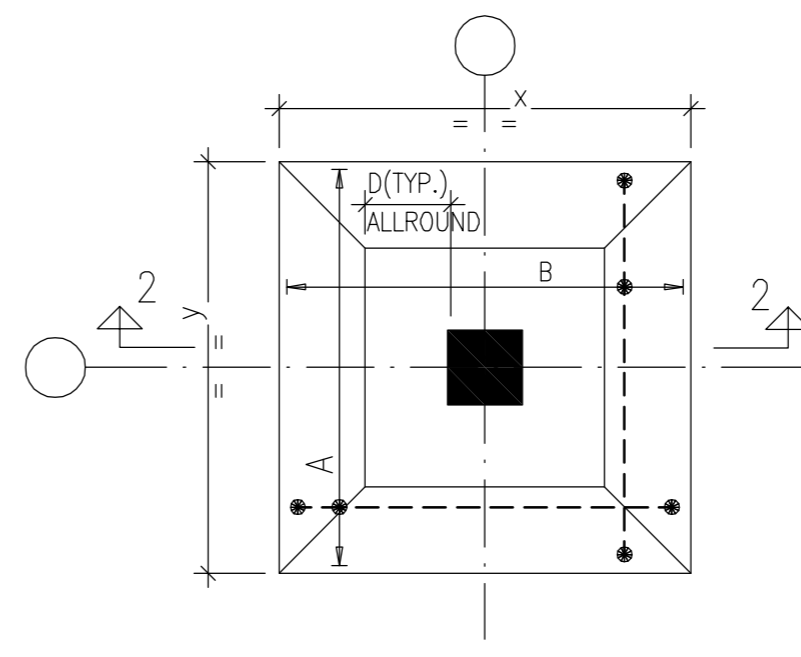
FOUNDATION PLAN



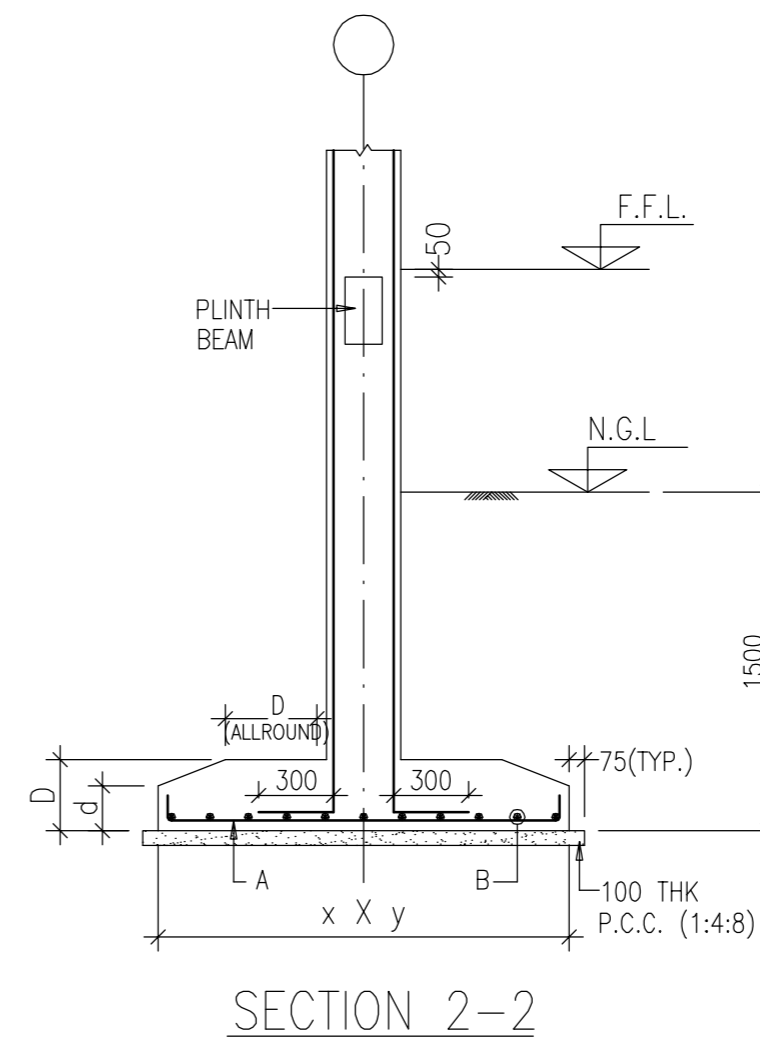
TYPICAL DETAIL OF FLAT FOOTING



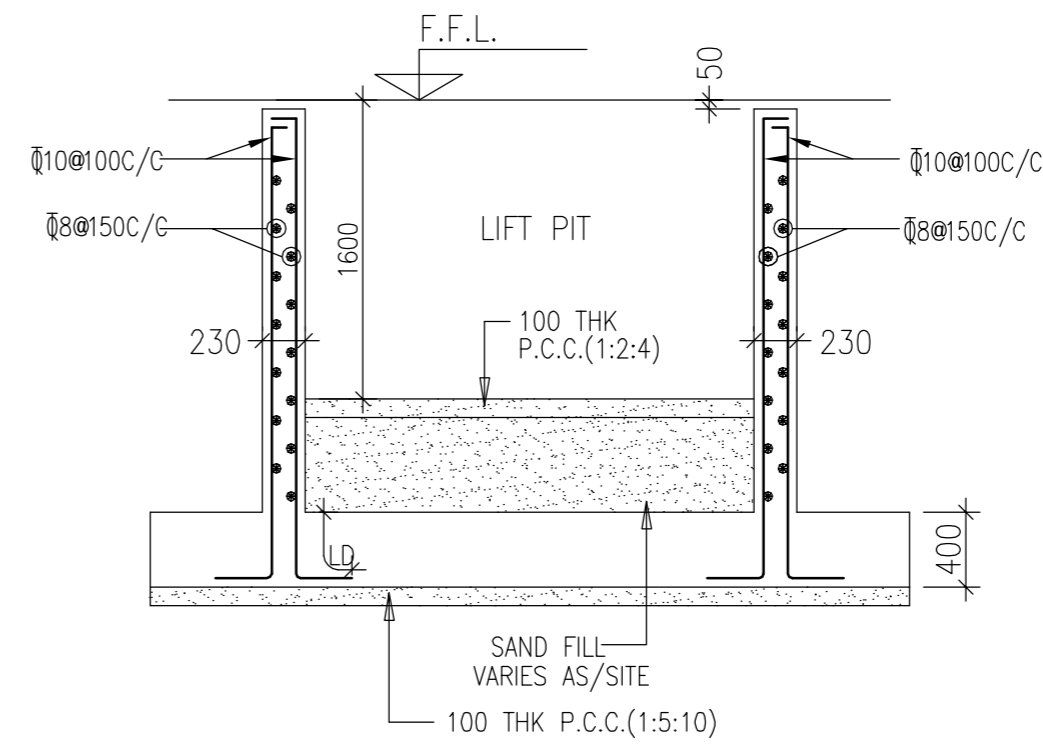
SECTION 1-1



TYPICAL DETAIL OF TAPERED FOOTING



SECTION 2-2



SECTION 3-3

FOOTING SCHEDULE

S.No	MKD.	SIZE(xY)	THK. (D)	THK. (d)	REINFORCEMENT		REMARKS
					MAIN R/F (A)	SECONDARY R/F (B)	
1	F1	1000x1000	250	250	10@100C/C	10@100C/C	FLAT
2	F2	1500x1500	400	300	16@150C/C	16@150C/C	TAPERED
3	F3	2000x2000	550	300	16@150C/C	16@150C/C	TAPERED
4	F4	2500x2500	700	350	16@100C/C	16@100C/C	TAPERED
5	CF1	4095x5085	400	400	12@100C/C (T&B)	12@100C/C (T&B)	COMBINE

NOTES

- ALL DIMENSIONS ARE IN mm & LVLS IN m.
- READ IN CONJUNCTION WITH RELEVANT ARCH. DRG.
- FINISHED FLOOR LVL TO BE CONFIRMED AS/ARCH. DRGS, THE SLAB TOP LEVEL TO BE WORKED OUT SUITABLY CONSIDERING FLOOR FINISH THICKNESS.
- CLEAR COVER OF R/F TO BE AS BELOW:-
FOUNDATION = 50mm
COLUMN = 40mm
BEAM = 25mm
SLAB = 20mm
- CONC. MIX. TO BE M-25 FOR ALL RCC WORK AS PER IS:456-2000
- ALL R/F BARS TO BE Fe500 Mpa. HYSD OR TMT STEEL AS PER IS:1786.
- ALL LAP LENGTHS = 50xSMALLER BAR ϕ . ALL LAPS TO PLANNED SUITABLY AS PER SITE REQUIREMENT.
- DEVELOPEMENT LENGTH = 50xBAR ϕ .

DATE	DESCRIPTION

REVISION

PROJECT

Proposed 50 Bedded Hospital at JASHPUR CHATTISGARH

TITLE

S

NRHM PROJECT

FOUNDATION PLAN

HSCC/EV210/WORKING/CHATTISGARH/SUR/ST-

Drawing No. REV. 0

JOB No. SCALE DATE

APPROVED REVIEWED PREPARED

HSCC INDIA LTD.
(A GOVERNMENT OF INDIA ENTERPRISE)

HSCC
NEW DELHI INDIA